



D® TRUClose® HEAVY DUTY

Adjustable, self-closing hinges for heavy and high-traffic gates

LIFETIME WARRANTY



TCHD1AS3



TCHD1S3



TCHD2S3

Heavy Duty: Self-closes gates up to 70kg

- D&D-patented tension adjustment
- Won't rust, bind, sag or stain
- Adjust tension from either end (always facing up)
- UV-stabilised, super-strong engineered polymer
- Internal stainless steel closing spring
- Decorative trim covers included - no visible fasteners
- Models with side-fixing legs available



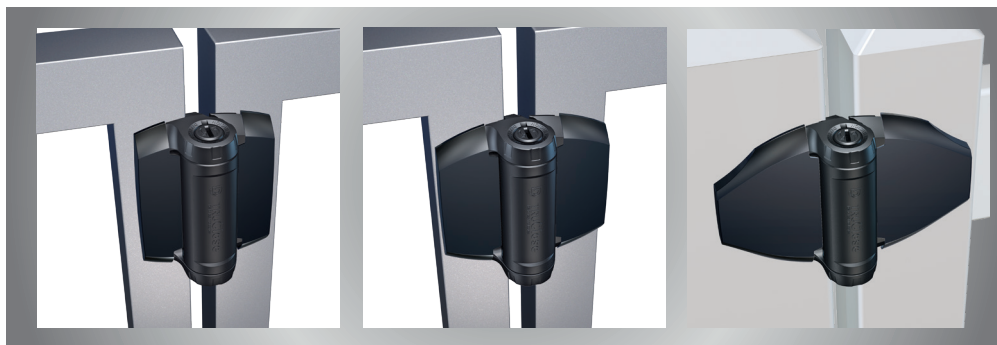
D&D Technologies

World's most trusted gate hardware

TCHD1AS3

TCHD1S3

TCHD2S3

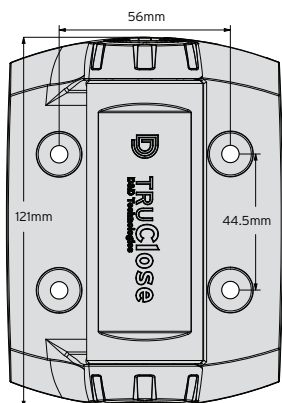
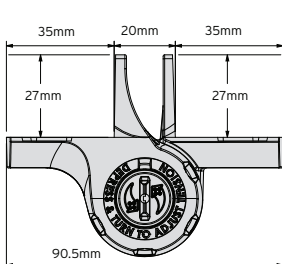


Product Dimensions

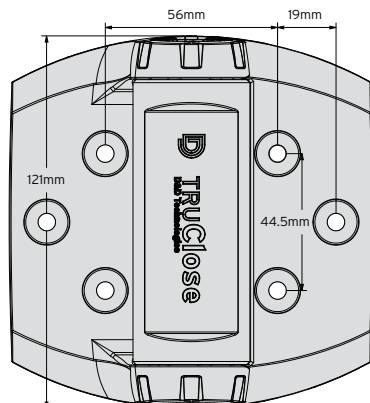
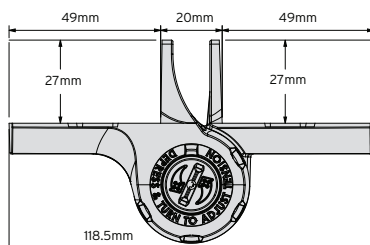
CODE	TRIM FINISH	GATE MATERIAL	SIDE LEGS	IDEAL GAP	GAP VARIANCE	SOLD AS
TCHD1AS3BT	Black	Metal	-	19mm	6-25mm	1 Pair
TCHD1AS3CT	Chrome	Metal	-	19mm	6-25mm	1 Pair
TCHD1AS3ST	Brushed	Metal	-	19mm	6-25mm	1 Pair
TCHD1AL1S3BT	Black	Metal	1 Leg	19mm	6-25mm	1 Pair
TCHD1AL2S3CT	Chrome	Metal	2 Legs	Fixed at 19mm	-	1 Pair
TCHD1AL2S3ST	Brushed	Metal	2 Legs	Fixed at 19mm	-	1 Pair
TCHD1AL2S3BT	Black	Metal	2 Legs	Fixed at 19mm	-	1 Pair
TCHD1S3BT	Black	Metal/Wood/Vinyl	-	19mm	6-25mm	1 Pair
TCHD1L2S3BT	Black	Metal/Wood/Vinyl	2 Legs	Fixed at 19mm	-	1 Pair
TCHD2L1SS3BT	Black	Vinyl/Wood	1 Leg	19mm	6-25mm	1 Pair
TCHD2L2S3BT	Black	Vinyl/Wood	2 Legs	Fixed at 19mm	-	1 Pair
TCHDCAPS3	Black	Safety Cap	-	-	-	1 Each

Note: HINGES SHOWN BELOW ARE "LEGGED" MODELS, DEPICTED BY "L2" IN CODE

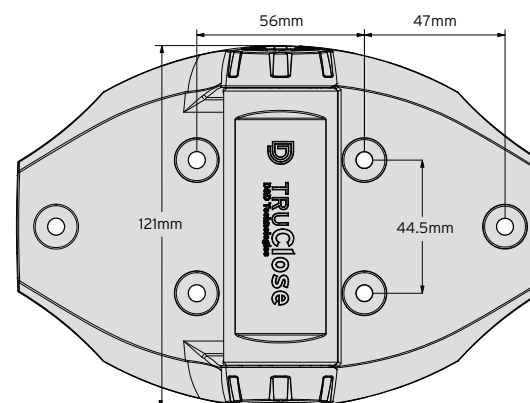
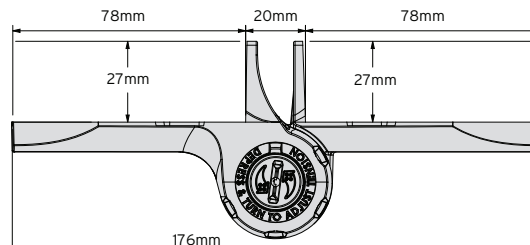
TCHD1AS3BT,
TCHD1AL1S3BT, TCHD1AL2S3BT



TCHD1S3BT, TCHD1L2S3BT



TCHD2LISS3BT, TCHDL2S3BT



www.ddtechglobal.com

Unit 6, 4-6 Aquatic Drive, Frenchs Forest NSW 2086
Tel: (02) 9454 7888 Email: sales@ddtech.com.au